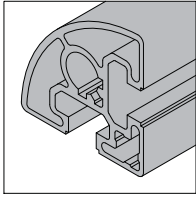
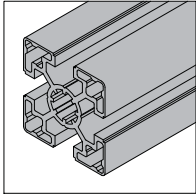


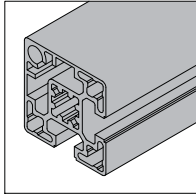
Strut Profile PG45



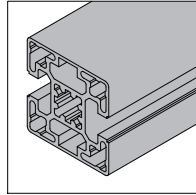
PG45 45x45 R90 2 slots



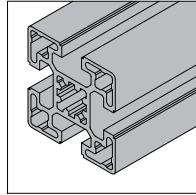
PG45 45x45 4 slots Light



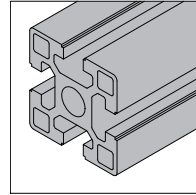
PG45 45x45 2 slots Type A



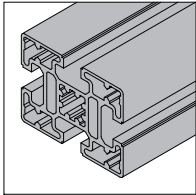
PG45 45x45 2 slots Type B



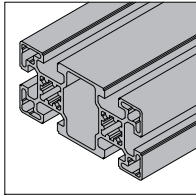
PG45 45x45 4 slots



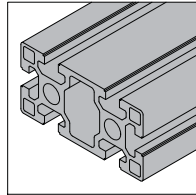
PG45 45x45 4 slots Heavy



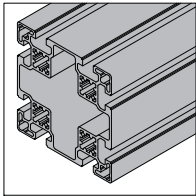
PG45 45x60 4 slots



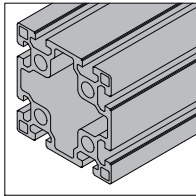
PG45 45x90 6 slots



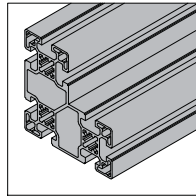
PG45 45x90 6 slots Heavy



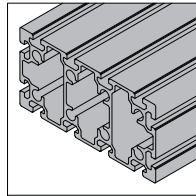
PG45 90x90 8 slots



PG45 90x90 8 slots Heavy



PG45 90x90 L 8 slots



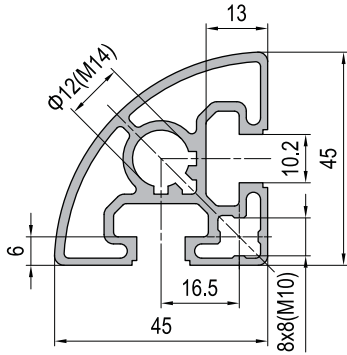
PG45 90x180 12 slots

Strut Profile PG45 featuring 10mm T-slot is designed for constructing heavy weight assemblies such as conveyors assemblies, production lines, work carts, stock shelves etc. (Profile PG45 are especially popular and extensively used in Europe).

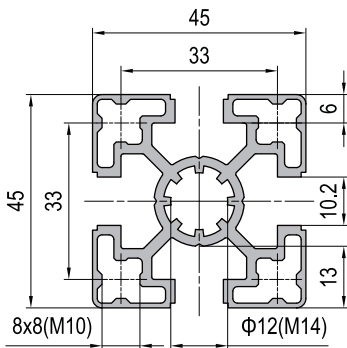
Connector selection: anchor connector, die cast bracket, angle profile bracket, inner bracket, linear bar connector etc.

Strut Profile PG45

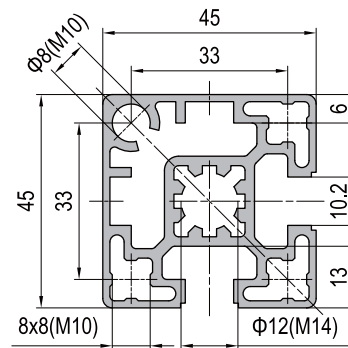
PG45 45x45 R90 2 slots



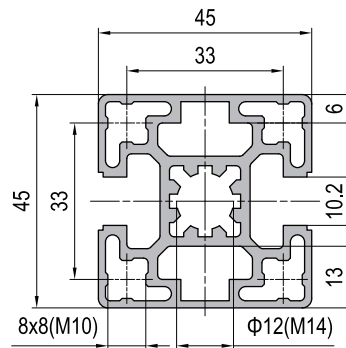
PG45 45x45 4 slots Light



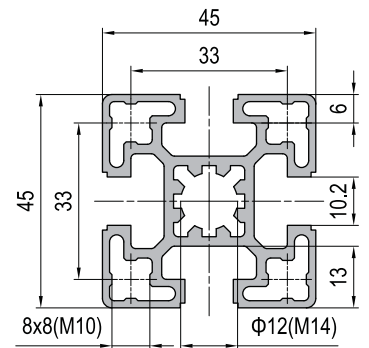
PG45 45x45 2 slots Type A



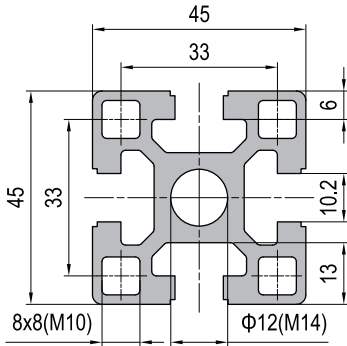
PG45 45x45 2 slots Type B



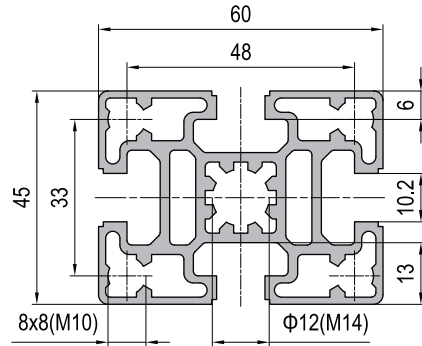
PG45 45x45 4 slots



PG45 45x45 4 slots Heavy



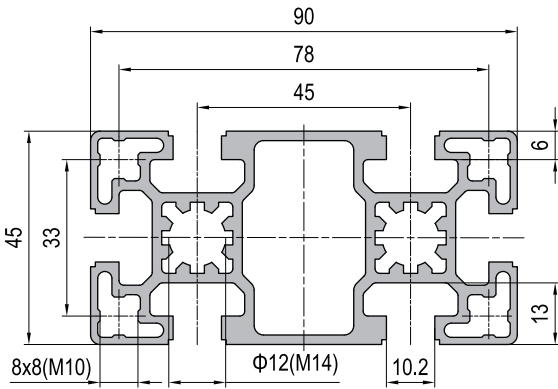
PG45 45x60 4 slots



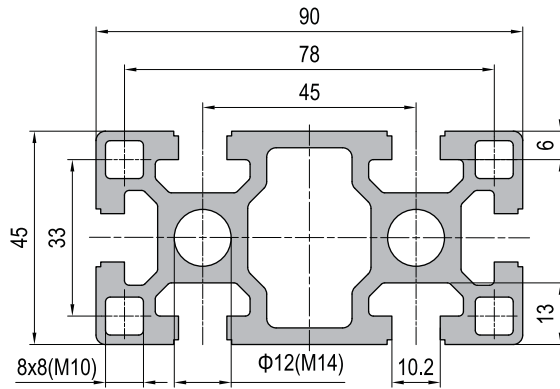
Description	Moment of Inertia Ix(cm ⁴)	Moment of Inertia Iy(cm ⁴)	Moment of Resistance Wx(cm ³)	Moment of Resistance Wy(cm ³)	Mass (kg/m)	Part No.
Strut Profile PG45 45x45 R90 2 slots	10.5	6.4	3.5	2.4	1.5	1.11.45.045045.R90.02
Strut Profile PG45 45x45 4 slots Light	10.5	10.5	4.7	4.7	1.6	1.11.45.045045.04L
Strut Profile PG45 45x45 2 slots Type A	12.9	12.9	5.7	5.7	1.9	1.11.45.045045.02A
Strut Profile PG45 45x45 2 slots Type B	13.7	12.1	6.1	5.4	1.9	1.11.45.045045.02B
Strut Profile PG45 45x45 4 slots	12.1	12.1	5.4	5.4	1.8	1.11.45.045045.04
Strut Profile PG45 45x45 4 slots Heavy	16.5	16.5	7.4	7.4	2.4	1.11.45.045045.04H
Strut Profile PG45 45x60 4 slots	16.2	27.8	7.2	9.3	2.4	1.11.45.045060.04

Strut Profile PG45

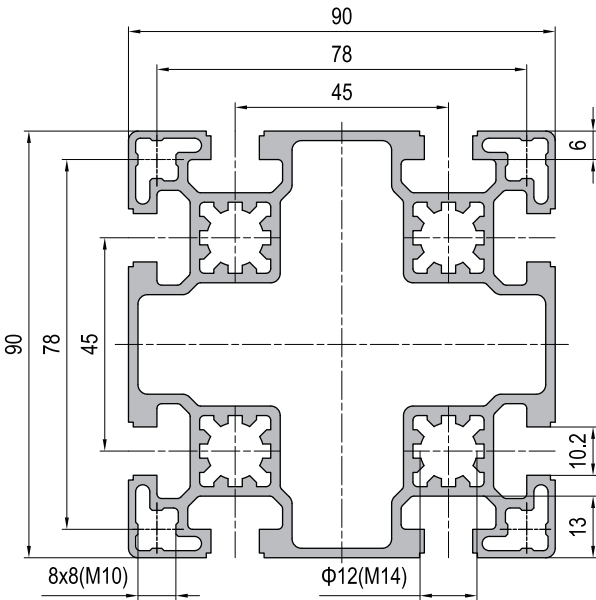
PG45 45x90 6 slots



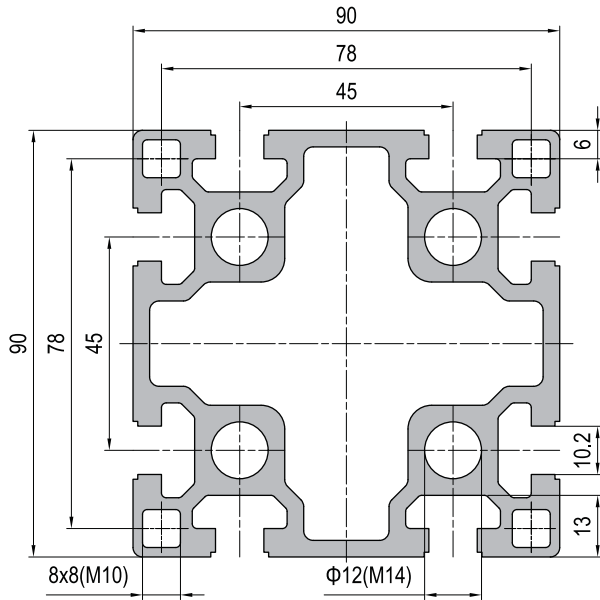
PG45 45x90 6 slots Heavy



PG45 90x90 8 slots



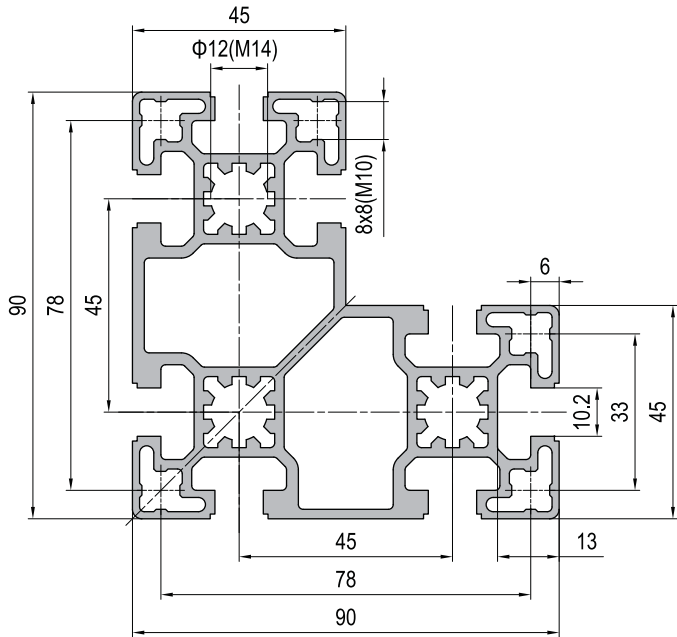
PG45 90x90 8 slots Heavy



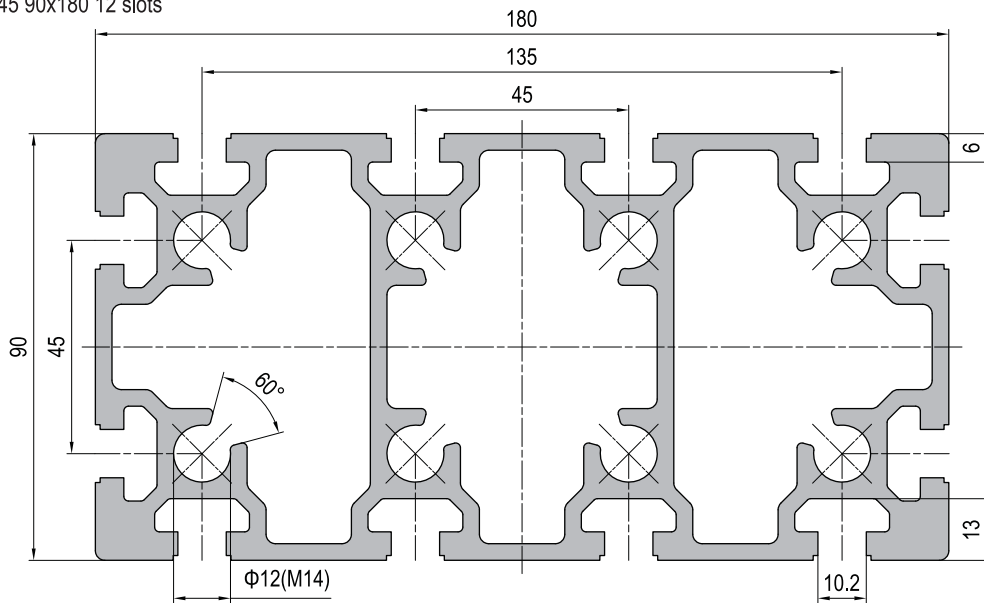
Description	Moment of Inertia $I_x(\text{cm}^4)$	Moment of Inertia $I_y(\text{cm}^4)$	Moment of Resistance $W_x(\text{cm}^3)$	Moment of Resistance $W_y(\text{cm}^3)$	Mass (kg/m)	Part No.
Strut Profile PG45 45x90 6 slots	24.2	89.3	10.8	19.9	3.2	1.11.45.045090.06
Strut Profile PG45 45x90 6 slots Heavy	32.5	122.2	14.5	27.2	4.4	1.11.45.045090.06H
Strut Profile PG45 90x90 8 slots	163.2	163.2	36.3	36.3	5.0	1.11.45.090090.08
Strut Profile PG45 90x90 8 slots Heavy	222.9	222.9	49.6	49.6	6.8	1.11.45.090090.08H

Strut Profile PG45

PG45 90x90 L 8 slots



PG45 90x180 12 slots



Description	Moment of Inertia $I_x(\text{cm}^4)$	Moment of Inertia $I_y(\text{cm}^4)$	Moment of Resistance $W_x(\text{cm}^3)$	Moment of Resistance $W_y(\text{cm}^3)$	Mass (kg/m)	Part No.
Strut Profile PG45 90x90 L 8 slots	161.4	80.3	25.6	15.2	4.6	1.11.45.090090L.08
Strut Profile PG45 90x180 12 slots	454.9	1585.7	101.1	176.2	12.2	1.11.45.090180.12