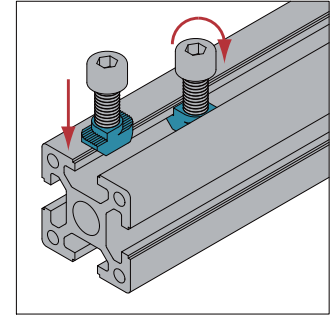


Fastening Elements

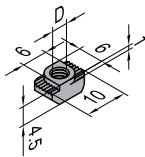
T Nut

Nut can be put into T slot from slot outside directly.

Material : nickel plated steel



Reliability	★★★★
Efficiency	★★★★★
Cost	★★★★★

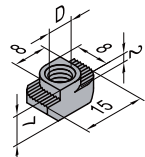


T Nut-6-M4



T Nut-6-M5

D	Material	Mass (g/pcs)	Part No.
M4	nickel plated steel	1.5	2.21.06.M4
M5	nickel plated steel	1.5	2.21.06.M5



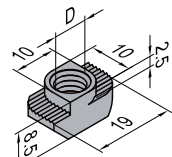
T Nut-8-M4



T Nut-8-M5

T Nut-8-M6

D	Material	Mass (g/pcs)	Part No.
M4	nickel plated steel	3.4	2.21.08.M4
M5	nickel plated steel	3.4	2.21.08.M5
M6	nickel plated steel	3.4	2.21.08.M6



T Nut-10-M4

T Nut-10-M5

T Nut-10-M6

T Nut-10-M8



D	Material	Mass (g/pcs)	Part No.
M4	nickel plated steel	7.0	2.21.10.M4
M5	nickel plated steel	7.0	2.21.10.M5
M6	nickel plated steel	7.0	2.21.10.M6
M8	nickel plated steel	7.0	2.21.10.M8